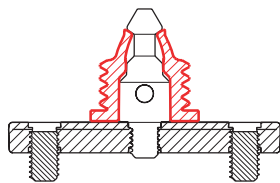


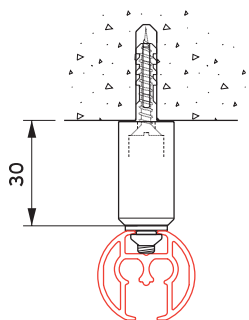
Specifications Load Release System 'LRS'

For use with profiles 4100 and 5100

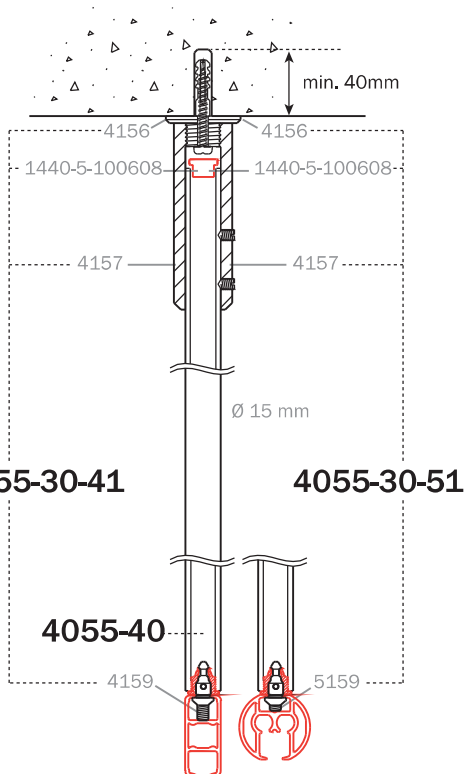
LRS



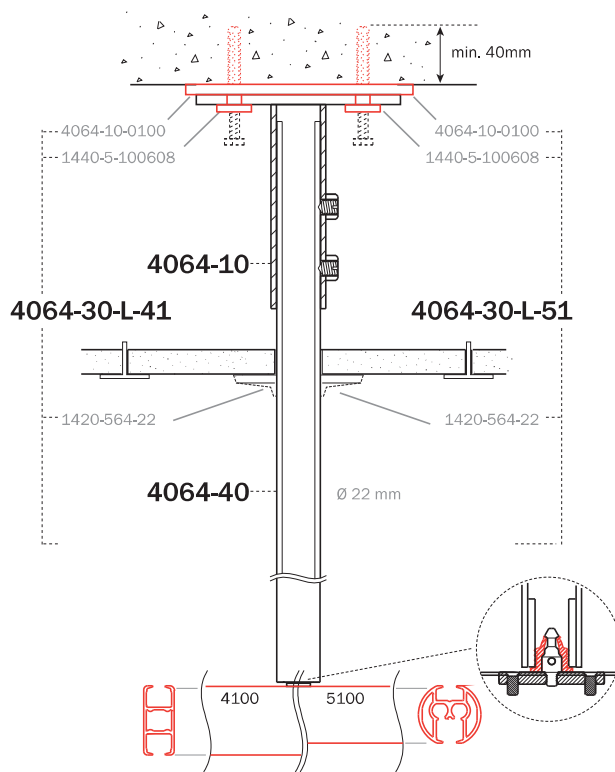
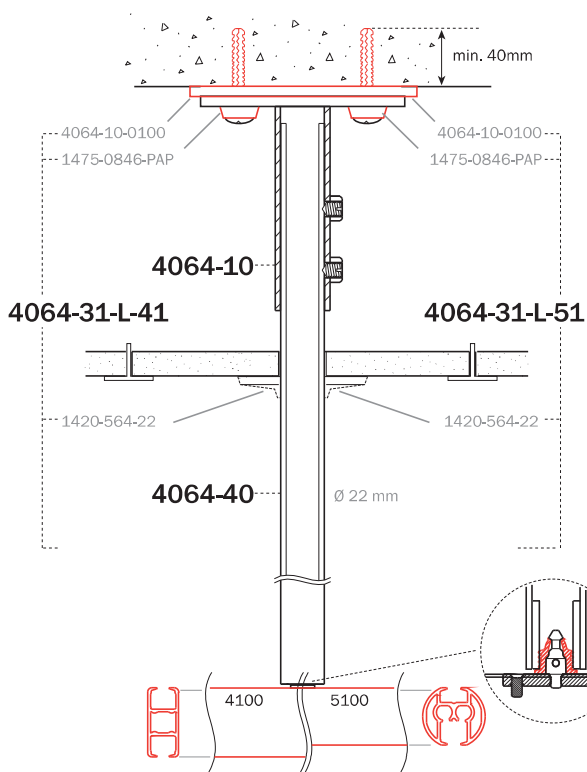
Mounting



ceiling mounting of the 5100 with 5154-LRS

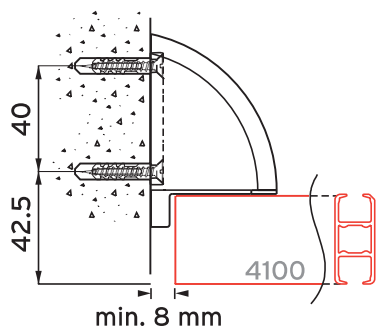


ceiling mounting of the 4100 with suspension hanger 4055, with mounting set 4055-30W-LRS

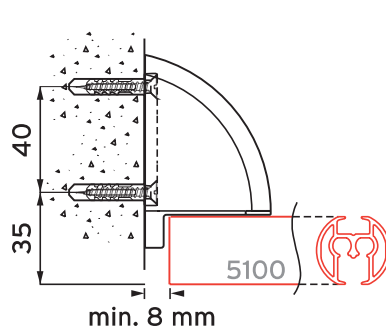


- ceiling mounting of 4100 or 5100 with base plate 4064-10, mounting set 4064-31-L-41 or 4064-31-L-51 for isolated placement according to IEC 60364 norm and hanger tube 4064-40 to length
- incl. screws and isolating plugs

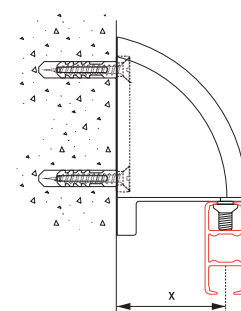
- ceiling mounting of 4100 or 5100 with base plate 4064-10, mounting set 4064-30-L-41 or 4064-30-L-51 for isolated placement according to IEC 60364 norm and hanger tube 4064-40 to length
- excl. screws and plugs for ceiling side, but incl. plastic bushes.



mounting the 4100 with
4149-LRS as wall bracket



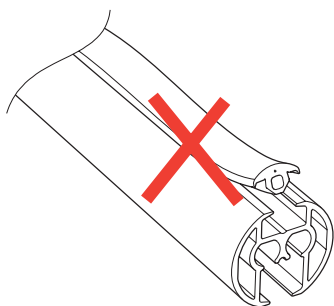
mounting the 5100 with
4149-LRS as wall bracket



	x [mm]
4100	40
5100	40

distance from wall in case of wall
mounting 4100 or 5100 with 4149-
LRS or 5149-LRS as wall bracket

Application example



In order to further diminish risks, the cover strip is omitted, or applied in fragments of max. 50 cm.

Scope statement

Fittings

Basic set 4159-LRS (for 4100) or 5159-LRS (for 5100).
Connection bridge 4165 (for 4100) or 5165 (for 5100).

Mounting:

4100: ceiling mounting with suspension hanger 4154-LRS, suspension hanger 4055 with LRS mounting set of hanger tube 4064 with LRS mounting set. Wall mounting (also as wall bracket) with 4149-LRS.

5100: ceiling mounting with suspension hanger 5154-LRS, suspension hanger 4055 with LRS mounting set or hanger tube 4064 with LRS mounting set. Wall mounting (also as wall bracket) with 5149-LRS.

System details:

This system allows the rail to release in a controlled manner when incorporated with privacy rail, shower rail or garment hanging rail.

The Load Release System allows for normal rail use, but will separate at the Load Release Suspension Points when the calibrated control load is reached.

- continuous static load up to 5 kg possible
- controlled release at peak load of 35 - 45kg

Maintenance and inspection

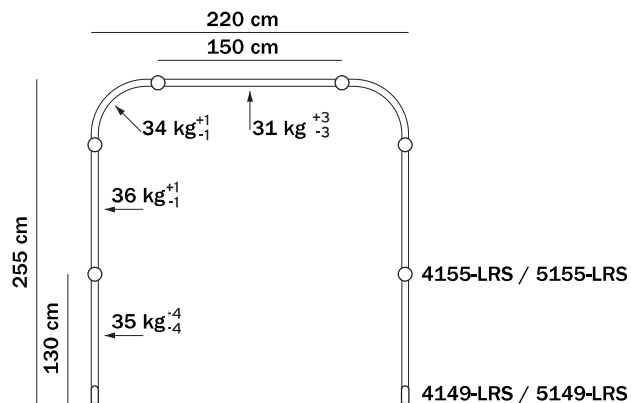
- Due to the ageing process of polymers, the effects of peak loading and or possible mis-use, we advise to check each Load Release Suspension Point for defects every 12 months from date of installation. We further recommend that all 4149-LRS receiver units are replaced within 4 years of installation.

- It is advised that the LRS receiver unit is replaced immediately after the system has been activated.

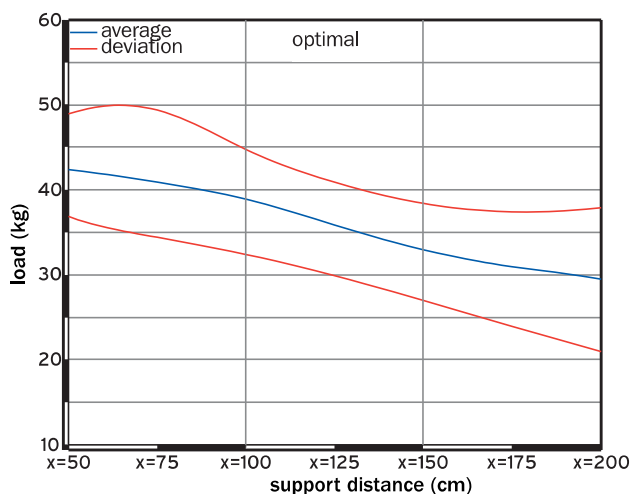
Mounting points:

Recommendation for mounting the 4100 with suspension hangers and wall brackets of the LRS-system. In the diagram below, you will find the uncoupling loads in red, fixed to suspension hangers and wall brackets (in black you will find the recorded deviations).

For further mounting possibilities, we would like to refer you to the technical document that can be requested at Goelst NL in Ede.



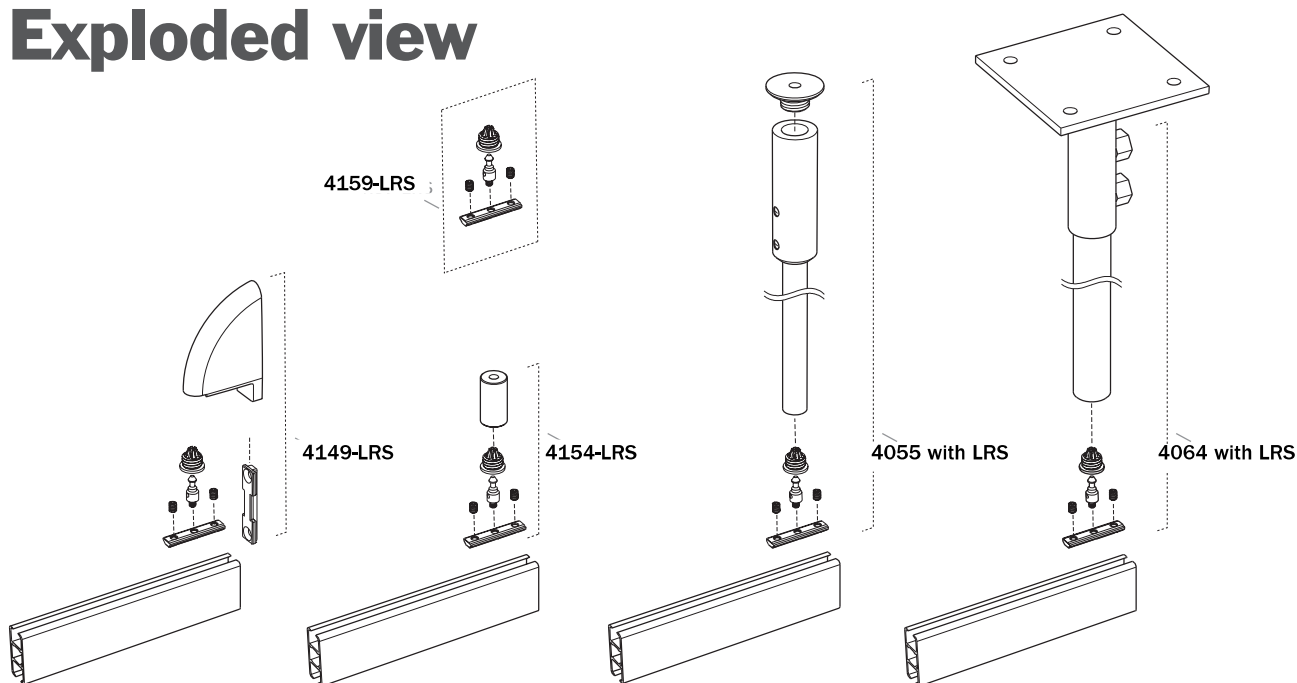
Course of the breakaway load



This graph represents the course of the breakaway load with increasing bracket distance (x).

In the optimal zone, the uncoupling load is close to the correct value. A small deviation from that value may be expected. When bracket distance starts exceeding 150 cm, the uncoupling load becomes less predictable.

Exploded view



Application example

Application example of room layout with 4100:

Below you will find a sample room displaying the various applications of the LRS.

1. window rail

For an uncoupling load of 30-40 kg given a straight window rail: the bracket distance (y) between the last 2 brackets will preferably be between 75-125 cm. The value of the intermediate bracket distances (x) then becomes double that distance.

2. cubicle rail & 3. shower rail

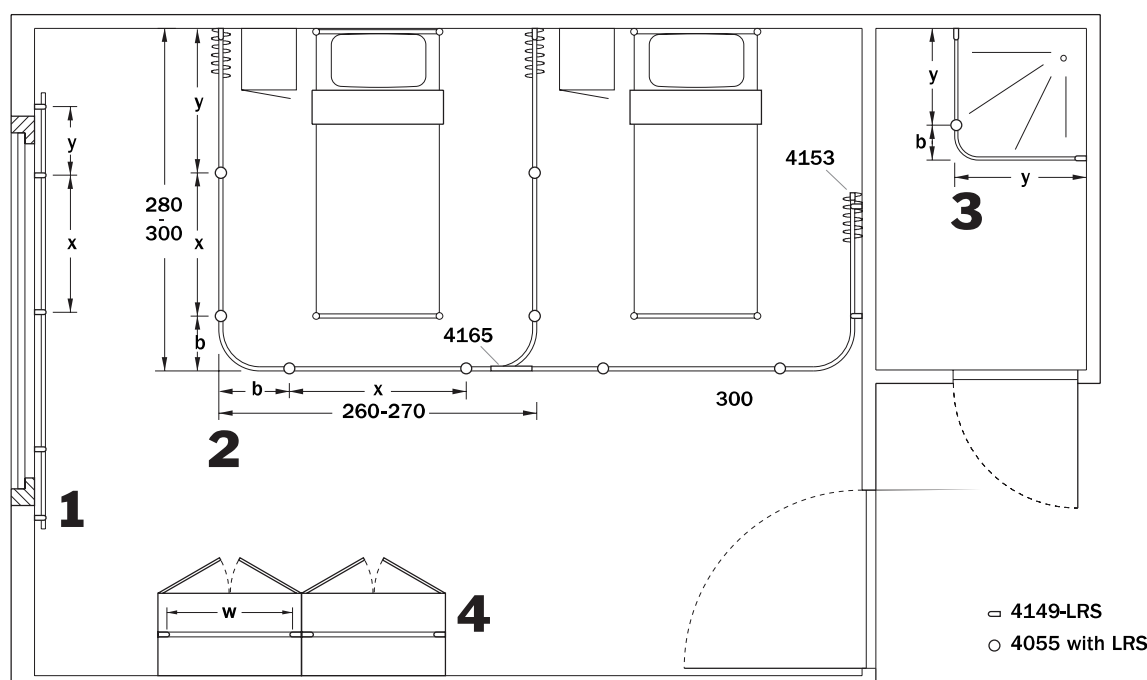
For an uncoupling load of 30 and 40 kg: the bracket distance (x) will have to be between 100 cm and 150 cm and the value (b) between 25 and 75 cm.

The values mentioned are excluding rail weight and curtain weight.

4. closet rail

To placement between two walls, for example in a closet, the following applies:

- The bracket distance (w) is max. 100 cm with rail 5100 and 125 cm with rail 4100.
- For larger spans, using an extra suspension hanger (4055 with LRS or 4154-LRS) is recommended.



Technical report

The full technical LRS report can be requested via Goelst NL in Ede.

Liability

This system should be installed and used as specified in the technical documentation (that is available on request). Although the correct functioning of the various components of the LRS-system is always our top priority, the system can't rule out (self-)harm by persons, in whatever form. Neither can we be held responsible for damage caused by aggression, misconduct, negligence etc. or damage caused by failing to observe the instructions in the technical documentation.