

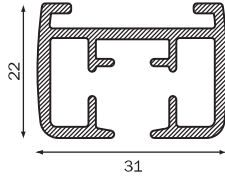
6700

profiles sky light system 6700

(based on the 6200 profie)

Rail profile

6200
567 gr/m

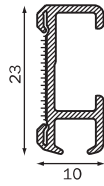


bending

6700 : straight systems only

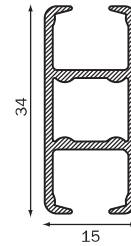
Velcro profile

7400
190 gr/m



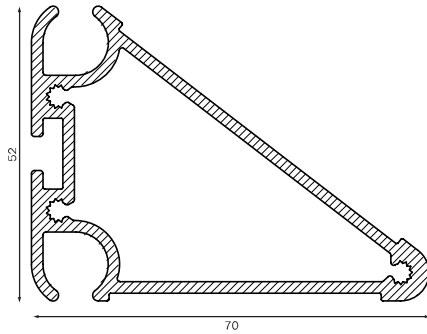
traverse rod profiles

4100
405 gr/m



Pilot carrier profile

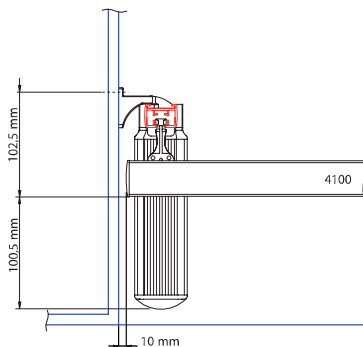
6701
1410 gr/m



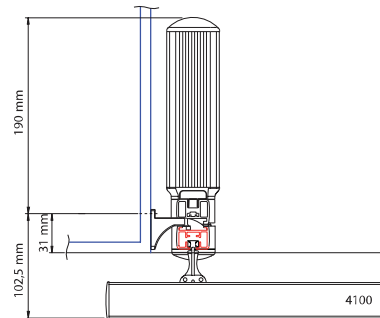
7492-08-N
62 gr/m



Mounting

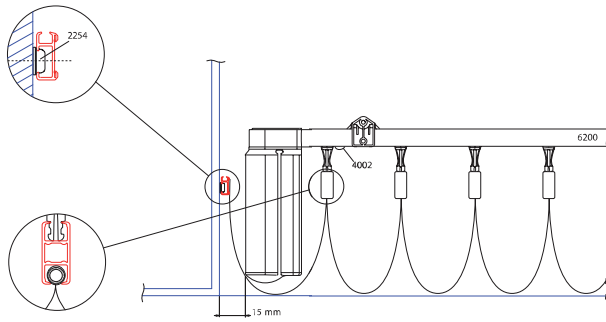


example: system
with stack fixed "within reveal"

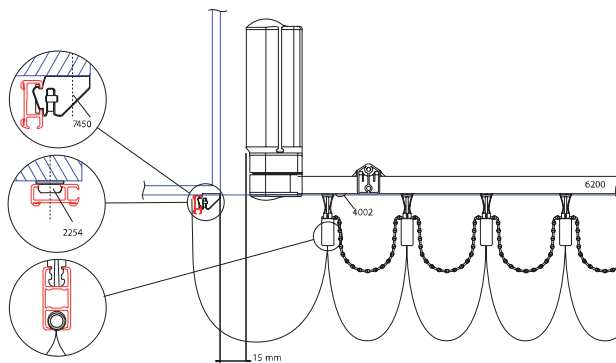
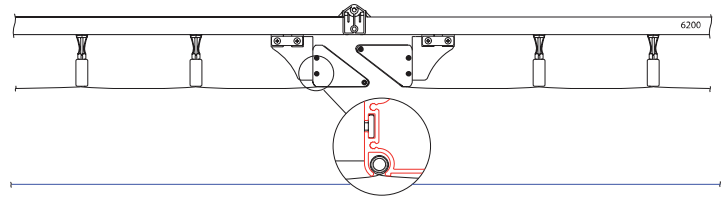


example: system
with stack fixed "below reveal"

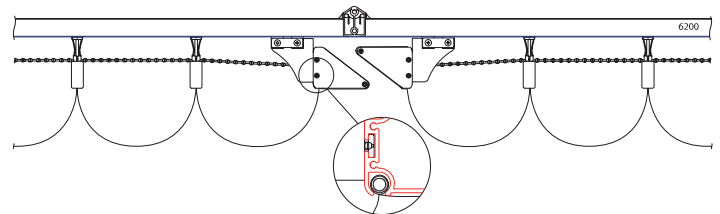
Application example



- based on mounting with 6051
- the system fits in its entirety in the window opening



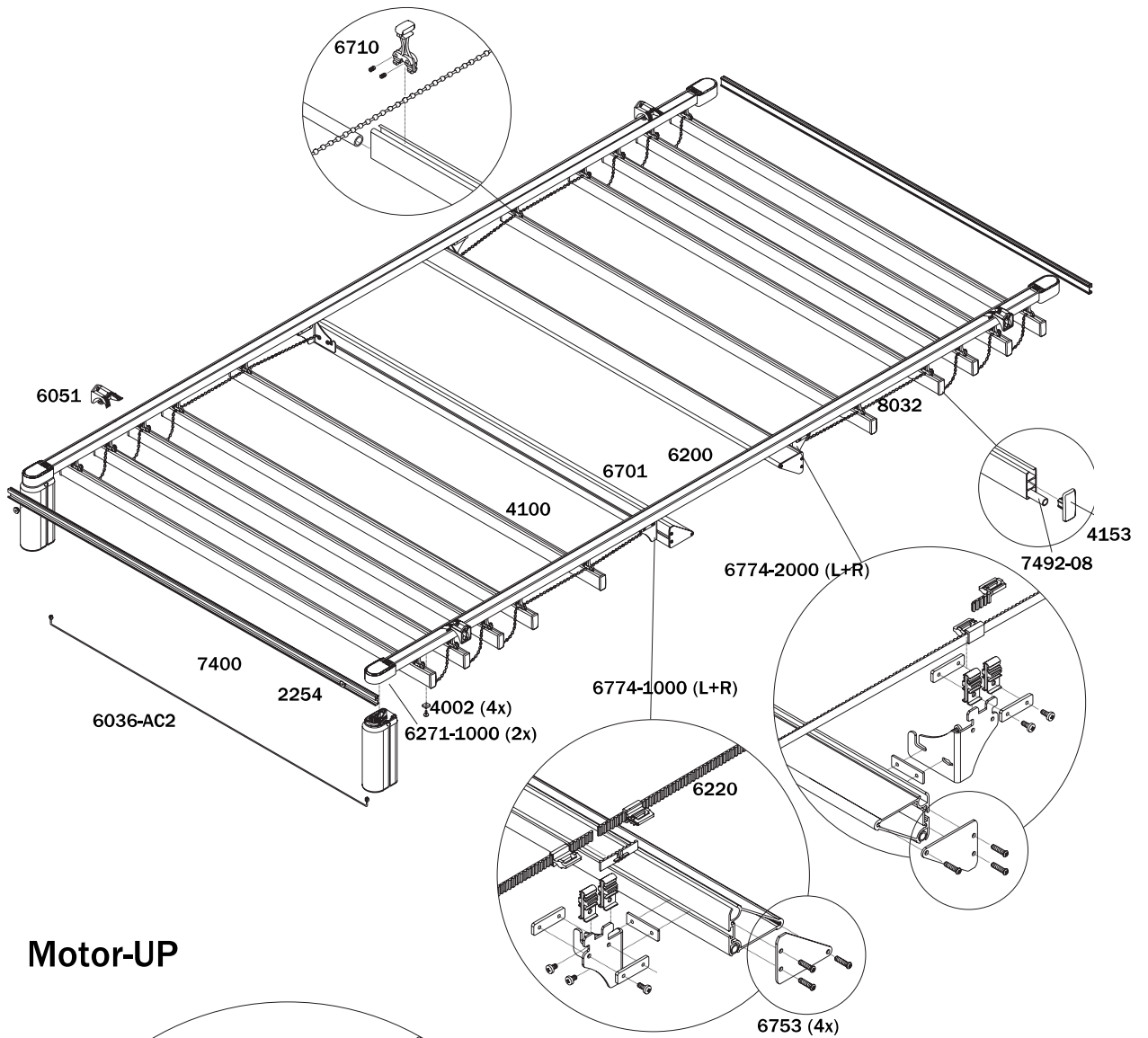
- based on mounting with 6051
- the system covers the entire window opening



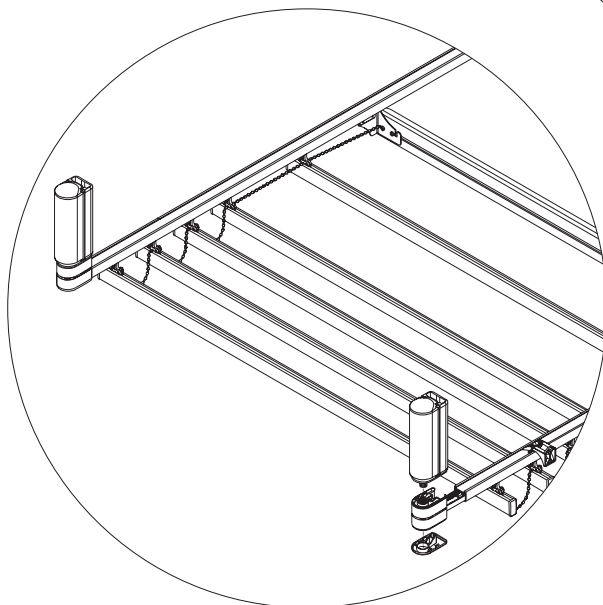
- with ball chain, to create even folds when curtains are closed
- with "motor up"

Exploded view

6700







Motor-UP



Version including motor-up
 - motor mounted upwards
 - fabric neatly fits right underneath the pulley for a nice smooth finish

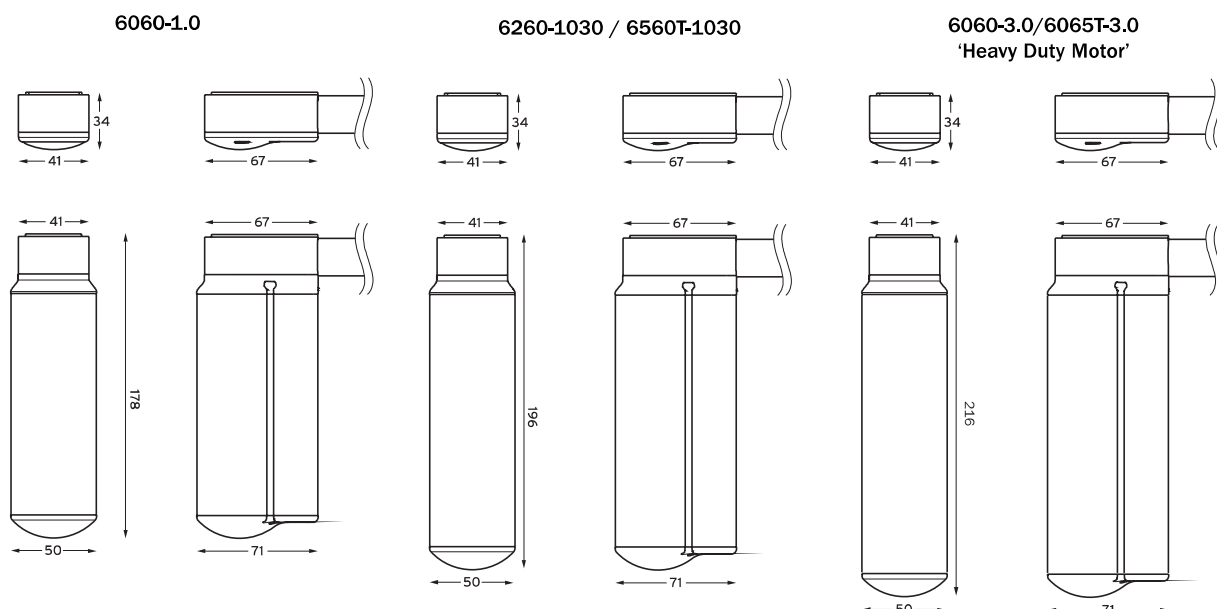
Belastingtabel

voor 6500 en 6700 systeem

	6500					6700	
	6060-1.0	6260-1030	6060-3.0	Tandem		6560T-1030	6065T-3.0
maximum curtain stack-weight (incl. rods) per motor type:	20 W 1 Nm	45 W 1,5 Nm	145 W 3,0 Nm	2 x 45 W 2 x 1,5 Nm	2 x 145 W 2 x 3,0 Nm	2 x 45 W 2 x 1,5 Nm	2 x 145 W 2 x 3,0 Nm
orientation	Length : max. 6m, with 6m profile length; Width : max. 2m. (no bends)	Length : maximum 6m (single stack) or 12m (split stack), both with 6m profile length. Width : maximum 2m. Other dimensions than given in table or bends: please inquire			Length : maximum 18m (2 x 1,5Nm) or 30m (2 x 3,0Nm) Width : maximum 4m. Other dimensions: please inquire (no bends).		
horizontal 	20 kg / 44 lbs	30 kg / 66 lbs	45 kg / 100 lbs	45 kg / 100 lbs	70 kg / 155 lbs	100 kg / 220 lbs	180 kg / 396 lbs
> 15°  Slope should be 15° or more	10kg / 22 lbs	15 kg / 33 lbs	20 kg / 44 lbs	20 kg / 44 lbs	40 kg / 88 lbs	-	-
45° 	5 kg / 11 lbs	5 kg / 11 lbs	8 kg / 18 lbs	8kg / 18 lbs	30 kg / 66 lbs	-	-
90° 	-	3,5 kg / 7,5 lbs	6 kg / 13 lbs	6 kg / 13 lbs	20 kg / 44 lbs	-	-
motor UP	yes	yes	no	yes	no	yes	no

6500 and 6700 systems not in combination with CPS motor units.

Motor dimensions



About Heavy Duty motor units:

During installation and setting the pilot carriers travel limits, the carriers should NOT be stopped by the mechanical limit stops in the profile. Use electronic setting of end positions.

Due to the strength of the Heavy Duty motor units, blocking the carriers could seriously damage the system.