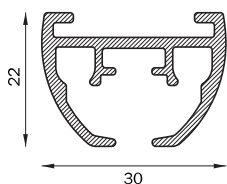


# 5600

## profile

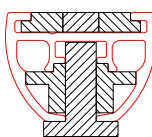
**5600**  
492 gr/m



## bending

radius  
R 20 (1015)  
R 30 (1015)  
R >100 (1018)

### filler position



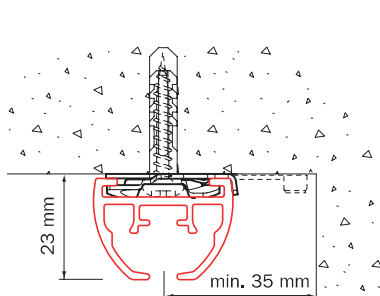
## arch bending

Minimal radius: 150 cm.

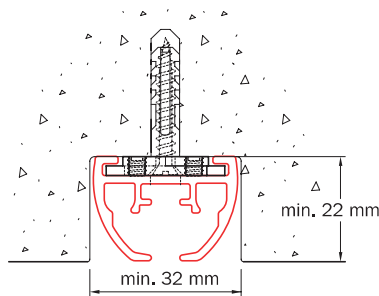
Arch bending: on request

Advised: choose a split stacked system, closing at the top.  
When opening the curtain, a single stack can behave uncontrollably, once a critical weight of the stack has passed the top of the arched system.

# Mounting

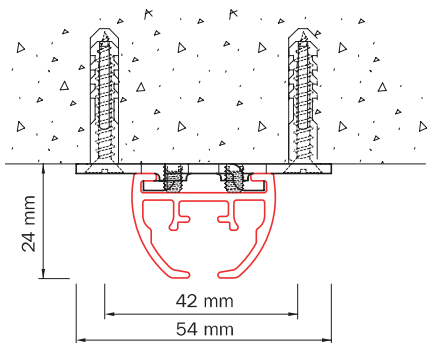


ceiling mounting with ceiling mounting clamp 6050

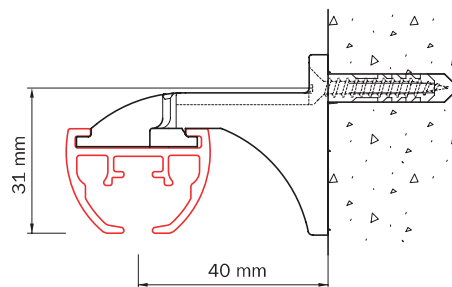


recessed mounting to or in ceiling with bracket 6055-2000

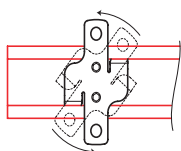
- when mounting in ceiling, take into account the wider pulleys
- curved systems: bend profile first then use as template for the rebate
- pre-drilling of profile by Goelst NL



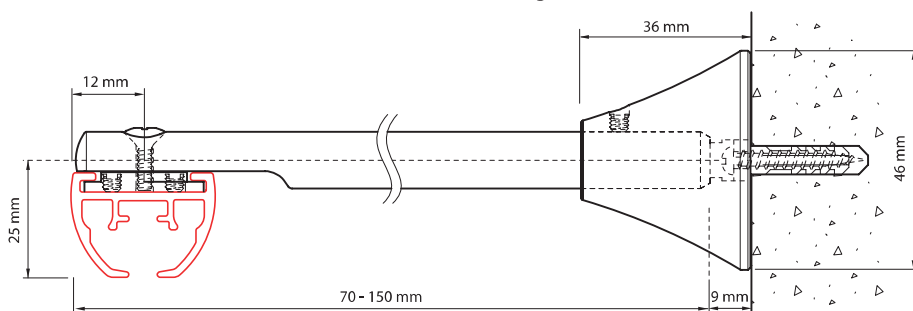
ceiling mounting with ceiling bracket 6055-1000



wall mounting with wall support 6051



mounting: rotate and secure



wall mounting with extension bracket 6017, can be cut from 15 to 7 cm