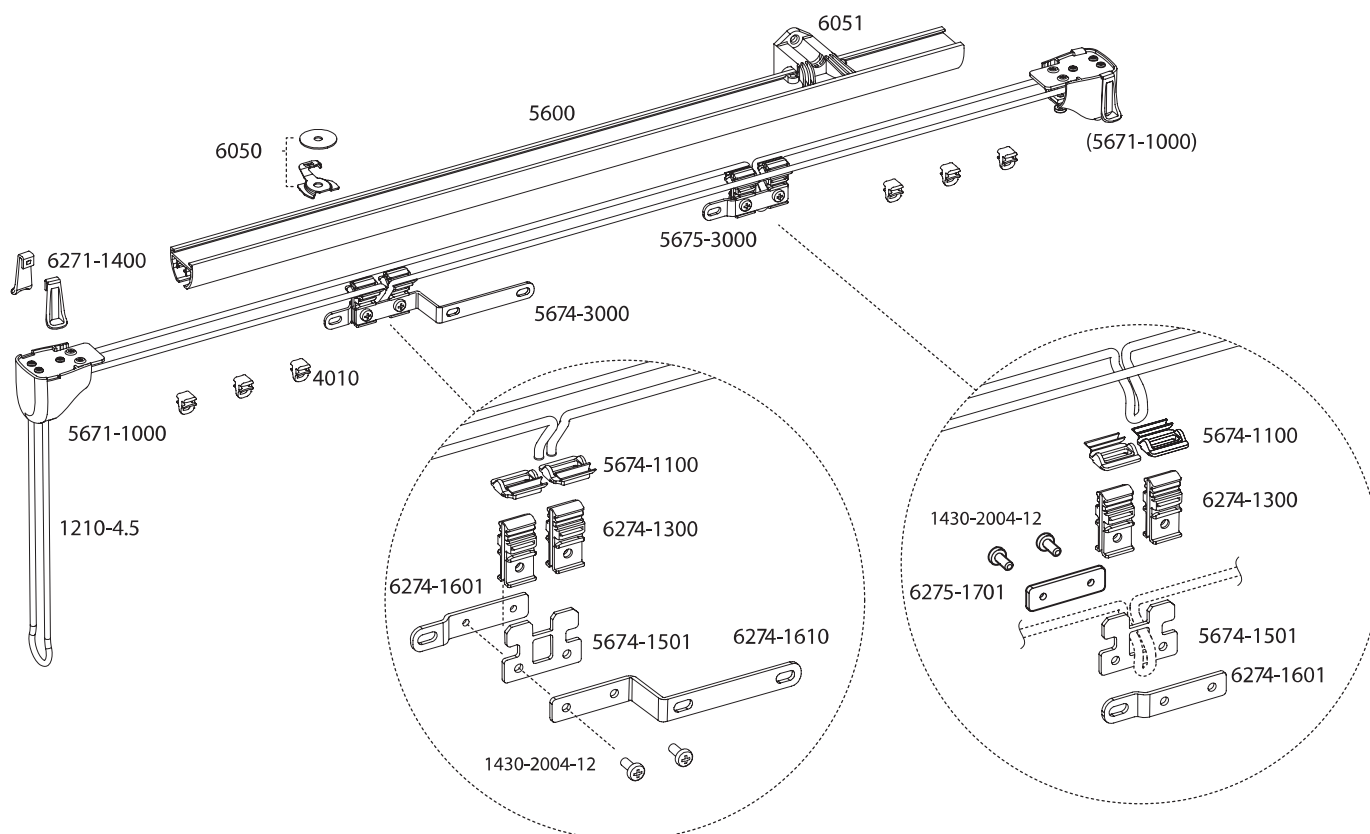


Exploded view

5600



load table

(max. curtain weight in kg)

curves	Glider/roller	5600
		to 12 m
straight	4010, 4020, 4030	40
	6010	20
1 curve	4010, 4020, 4030	30
	6010	15
2 curves	4010, 4020, 4030	20
	6010	10

Table cord operated

required pulling force by hand, in kg

	curtain weight in kg									
	0	10	20	30	40	50	60	70	80	
straight	1	3	4	5	6	7	8	9	10	
1 curve	in straight part	1.3	3.4	4.4	5.4	6.4	7.4	8.4	9.4	-
	in curve	2.5	3.7	5	6	7	8	9	10	-
2 curves	in straight part	1.5	3.7	4.5	5.5	6.5	7.8	9	-	-
	in curve	4.7	5.6	6.3	7.2	8.1	9	10	-	-

Recommended pulling force for operation with 1 hand: up to 6 kg.
Estimate around 10 kg deduction per curve for the curtain weight.

G-Standard

