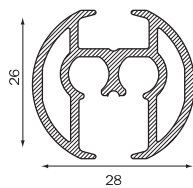


5100

profile

5100

522 gr/m



bending

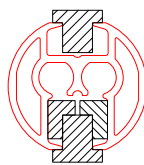
radius

R 15 (1015)

R 25 (1015)

R > 100 (1018)

filler position

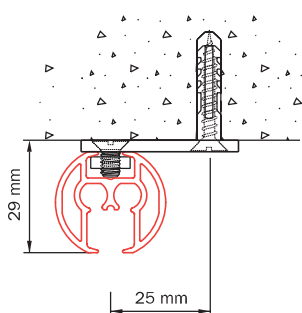


L-shaped fillers
only for cord op-
erated systems

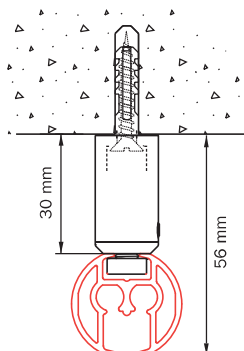
Mounting

ceiling and wall

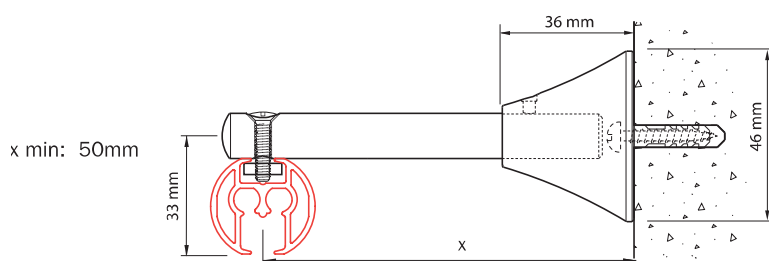
5100



ceiling mounting 5100 with
ceiling support 5135



ceiling mounting 5100 with
mini suspension hanger 4254



wall mounting 5100 with adaptable extension bracket 4217-101,
bracket can be cut back to $x=50\text{mm}$.

	x (mm)	x min. (mm)
4217-101	100	50
4217-201	200	50
4217-202	200	50