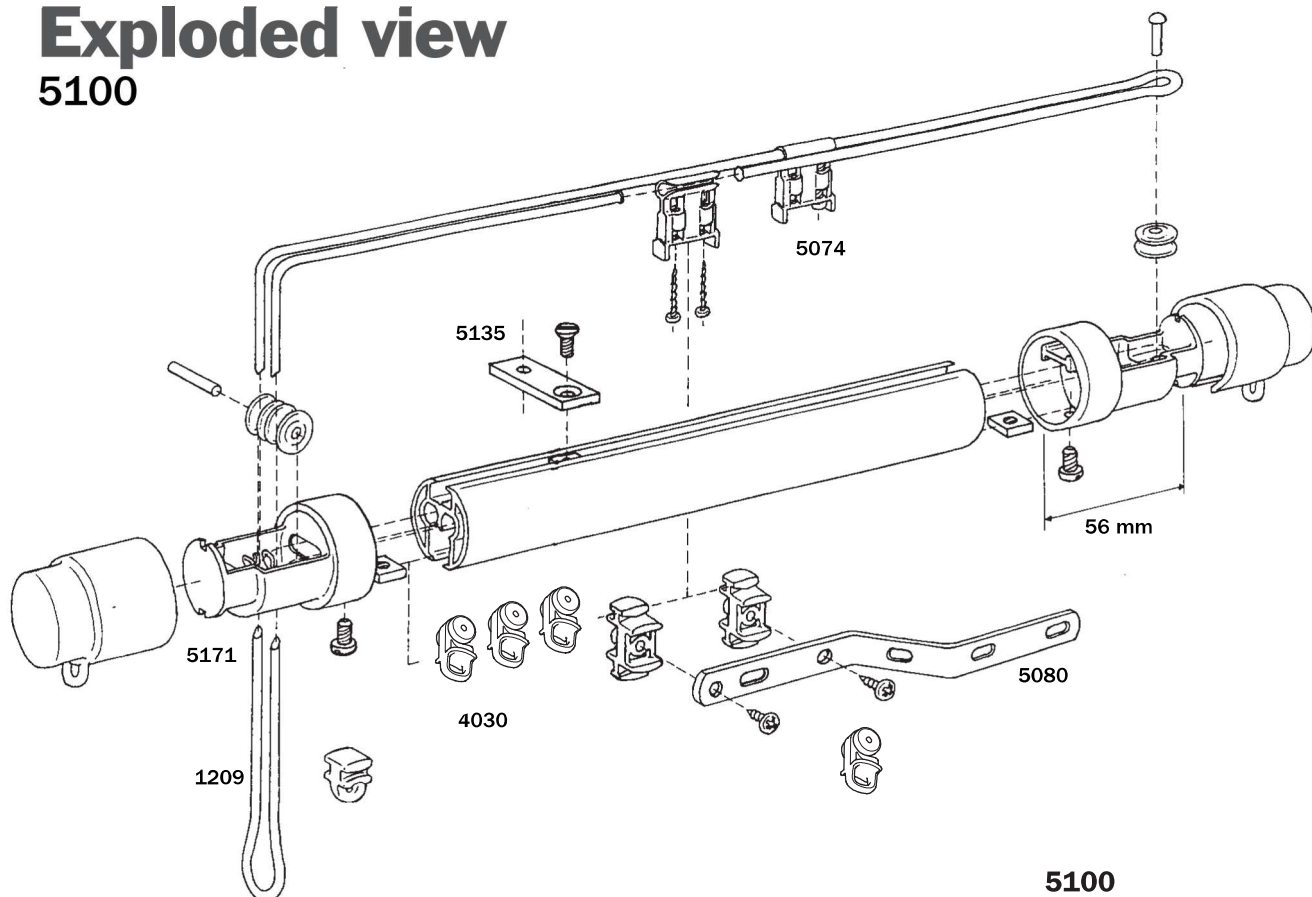


Exploded view

5100



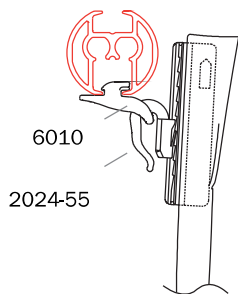
load table

(max. curtain weight in kg)

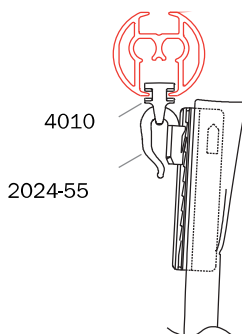
		5100
curves	Glider/roller	to 6 m
straight	4010, 4020, 4030	30
	6010	20
1 curve	4010, 4020, 4030	20
	6010	15
2 curves	4010, 4020, 4030	15
	6010	10

Application example

5100



heading with projection
glider 6010



without heading with
glider 4010

Thanks to the projection of glider 6010, a heading can be created in a round rail without the rail pushing it outward.

G-Standard

5100

