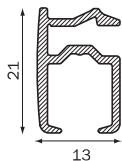


# 4800

## profile

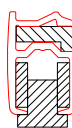
**4800**  
231 gr/m



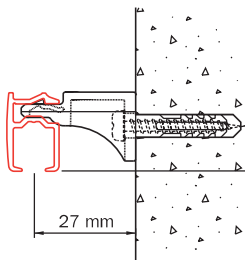
## bending

radius  
R 10 (1015)  
R 15 (1015)  
R > 100 (1018)

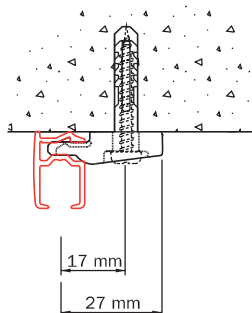
filler position



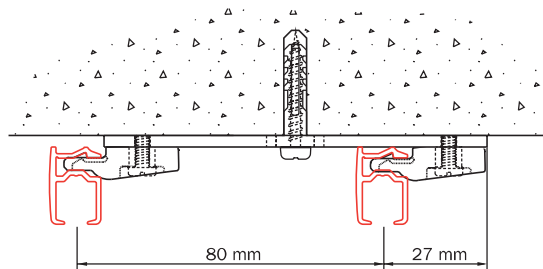
## Mounting ceiling and wall



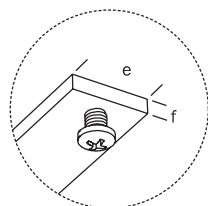
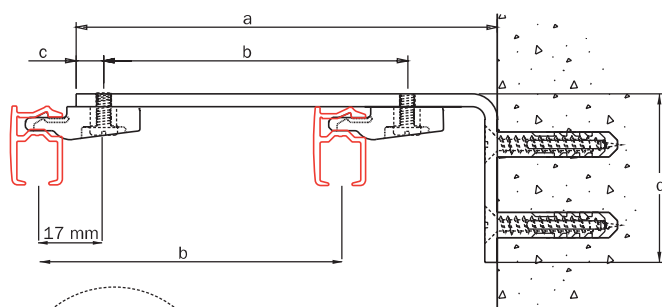
wall mounting with wall support 5351



ceiling mounting with ceiling support 5350



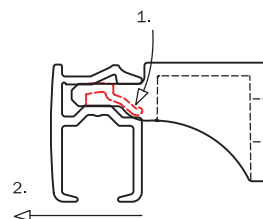
ceiling mounting with double bracket 2216 and ceiling support 5350



detail front view of extension bracket

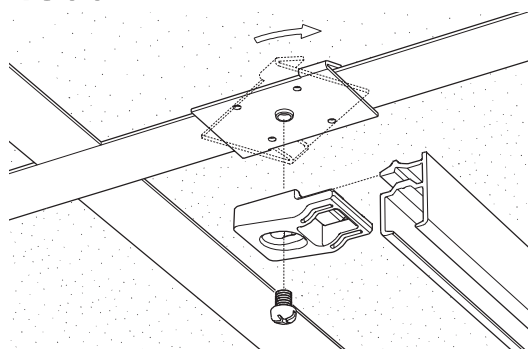
mounting with extension brackets 2015, 2018 or 2019 in combination with ceiling bracket 5350

(mm)	a	b	c	d	e	f
2015-05	50	-	6.5	40	16	3
2015-07.5	75	47	6.5	40	16	3
2015-10	100	72	6.5	40	16	3
2015-15	150	72	6.5	40	16	3
2018-15	150	57/57	6.5	60	20	4
2019-20	2000	80	6.5	60	20	4
2019-25	250	80	6.5	60	20	4
2019-30	300	80	6.5	60	20	4



method for uncoupling wall bracket 5351 and rail 4800

## Application example 4800



mounting to suspended ceiling by means of grid bracket 2050-SYST and ceiling support 5350

## G-Standard

