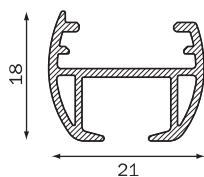


# 4400

## profile

**4400**

229 gr/m



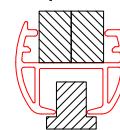
## bending

radius

R 15 (1015)  
(R10 possible)

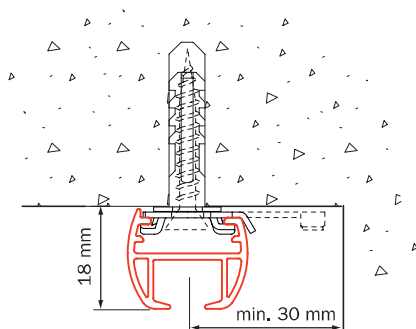
R > 80 (1018)

filler position

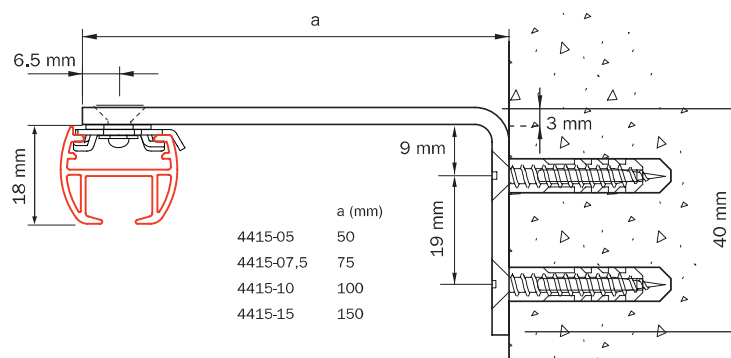


## Mounting

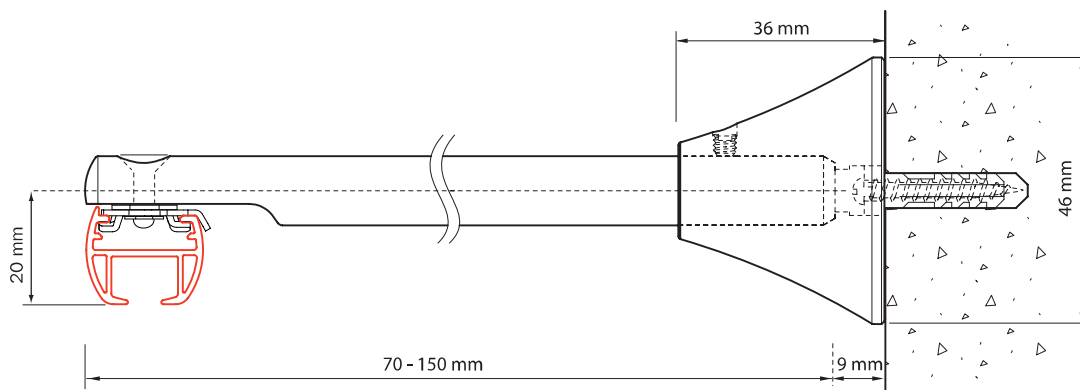
ceiling and wall



ceiling mounting of the 4400 with ceiling mounting clamp 4450, incl. ring  
(leave a space of at least 30 mm to allow rotation of the clamp)



wall mounting 4400 with extension brackets 4415



wall mounting 4400 with trimmable extension bracket 4417