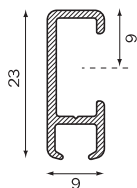


2200

profile

2200
164 gr/m



bending

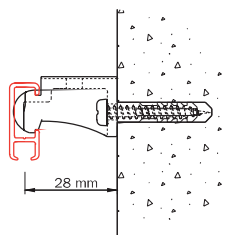
radius
R 8 (1013)
R 10 (1012)
R 10 (1015)
R >80 (1018)

filler position

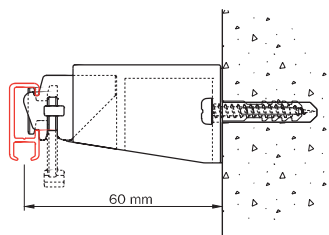


Mounting

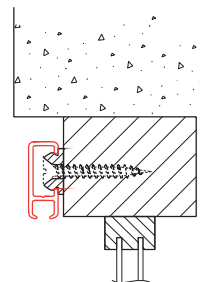
2200



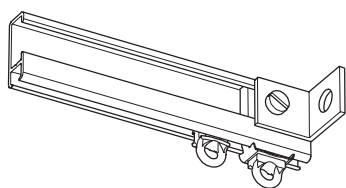
wall mounting with 2251



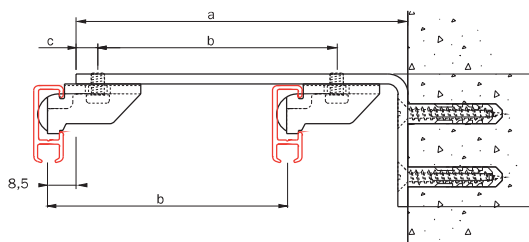
wall mounting using wall bracket 7451, with quick release



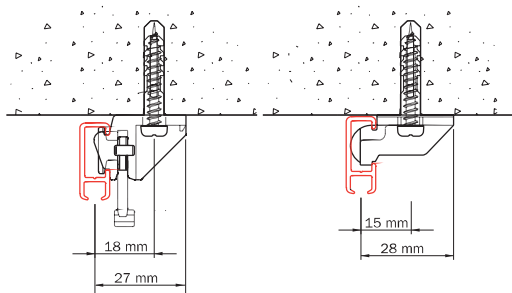
mounting on window sill with clip 2254



wall mounting with 2249-N



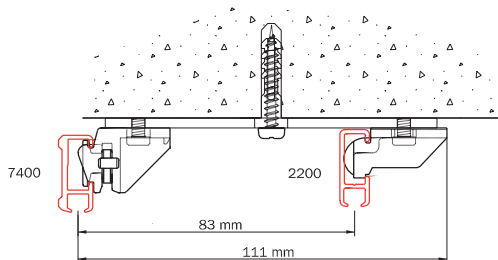
wall mounting with 2015 extension bracket and 2250 support



ceiling mounting with 7450, with quick release

ceiling mounting with 2250

in mm	a	b	c	d
2015-05	50	-	6.5	40
2015-07.5	75	47	6.5	40
2015-10	100	72	6.5	40
2015-15	150	72	6.5	40
2018-15	150	57/57	6.5	60
2019-20	200	80	6.5	60
2019-25	250	80	6.5	60
2019-30	300	80	6.5	60

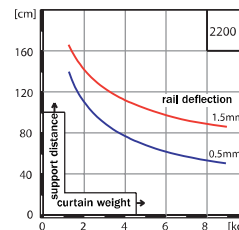
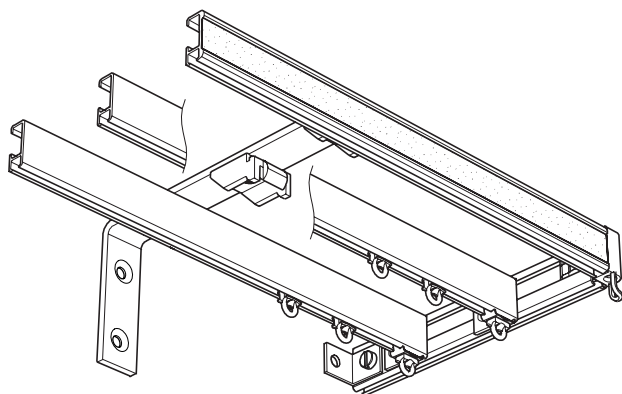


for perfect parallel mounting: use of double bracket 2216 with ceiling supports 7450 resp. 2250

Application example

2200

G-standard

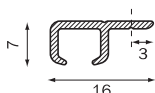


2x 2200 (sheers and curtains) combined with 7400 (volant), fixed to the heavy extension bracket 2018-15.

2300

profile

2300
89 gr/m

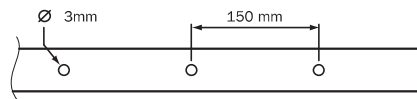


bending

arch bending, on request

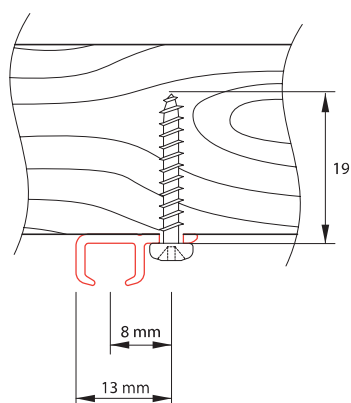
punching: type E

punch holes: diameter 3mm, every 150 mm



Mounting

ceiling



mounting 2300 with 19mm screw 2314